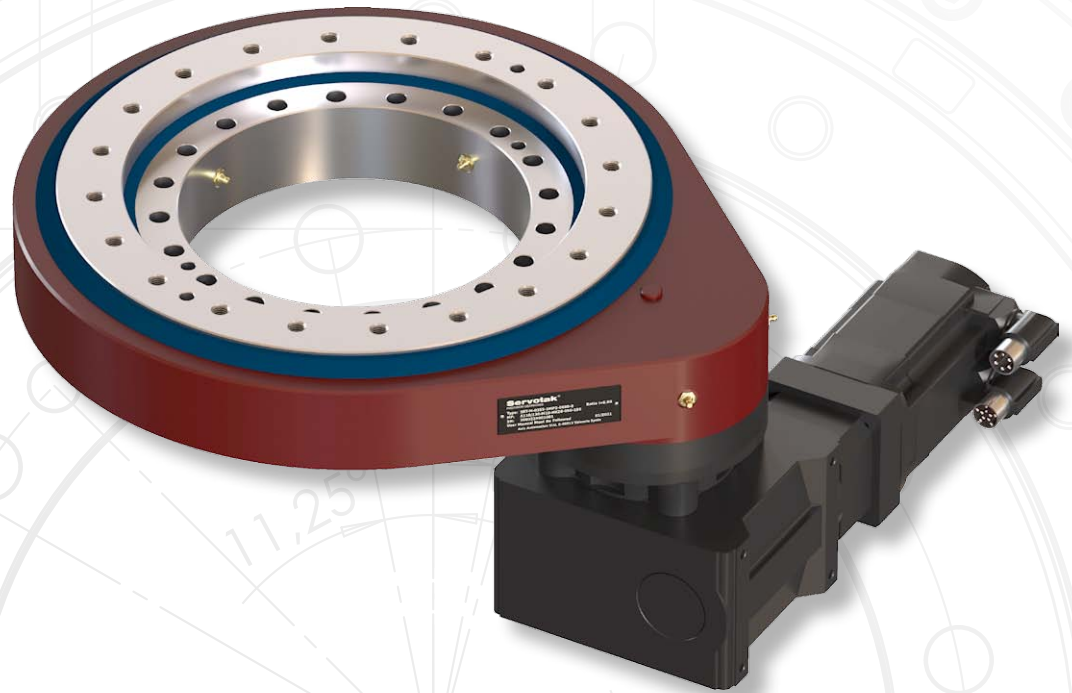


2x  $\varnothing 10$  H8/20 / 180

12x  $\varnothing M10$  T 20 / 200  
**Servotak**<sup>®</sup>  
PRECISION GEARBOXES



16x  $\varnothing 10,50$

11,25°

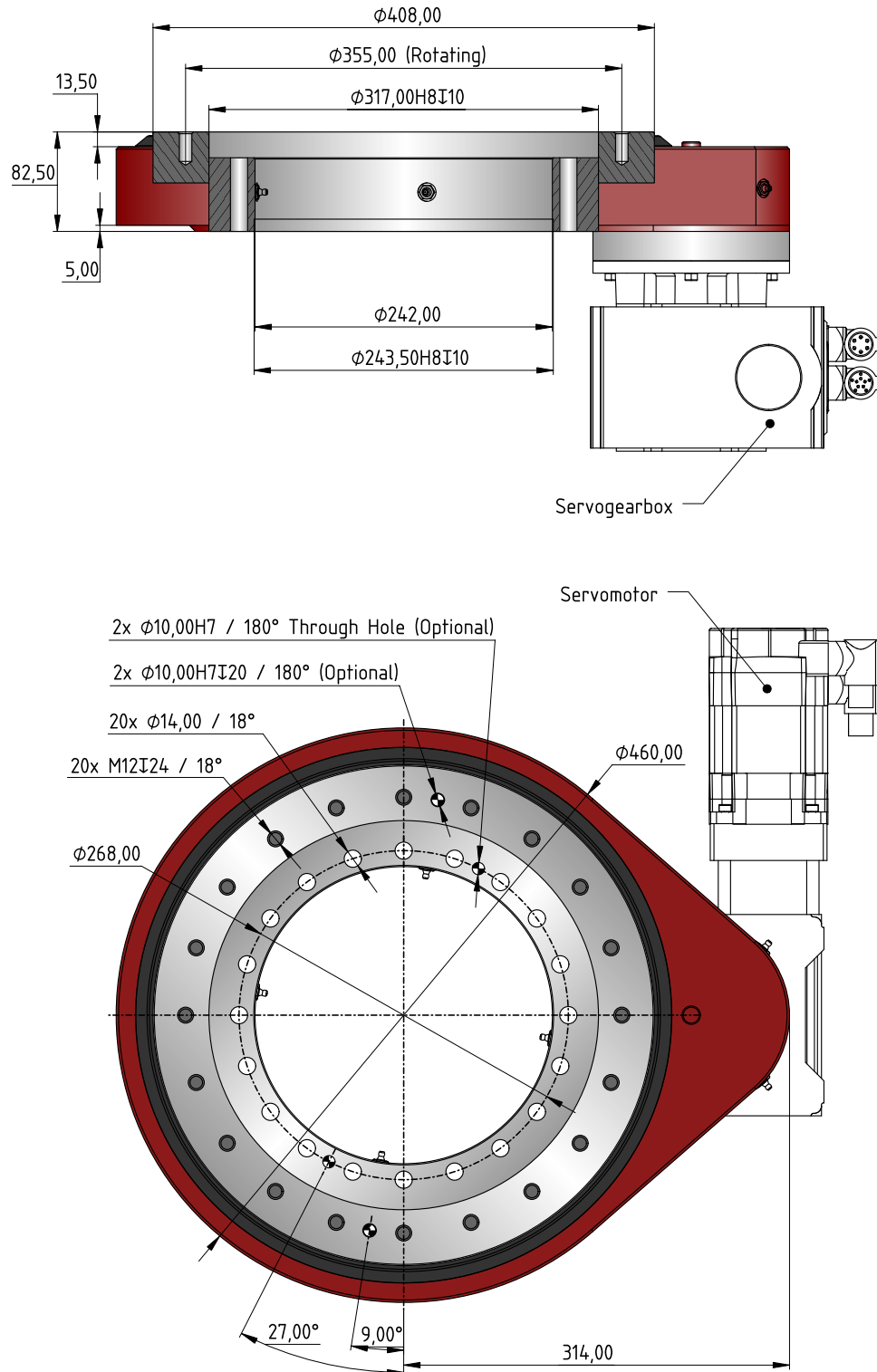
45°

2x  $\varnothing 8$  H7

**SRT-M-0355-1M**

# SRT-M-0355-1M

## Dimensions



(1) Values valid while supported by a precision machined surface on a support structure with sufficient stiffness. Subject to technical improvements without prior notice.

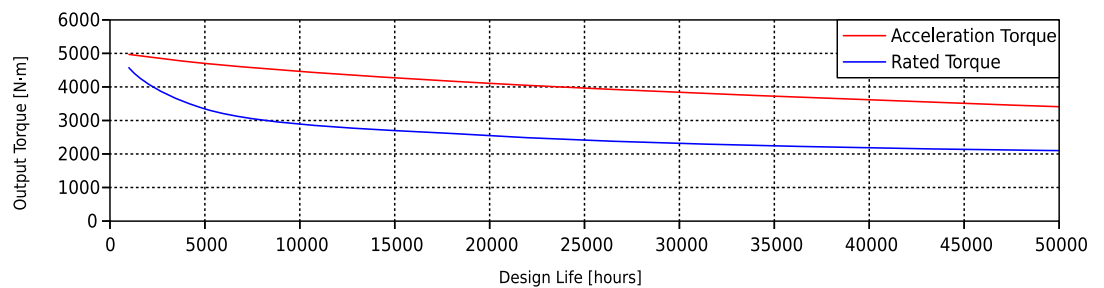
# SRT-M-0355-1M

## Technical Data

Transmission		Standard Precision (P2)	High Precision (P1)
Turning Direction		Programmable, reversible	
Internal Ratio		6.8:1	6.8:1
Backlash	arcmin	≤2.69	≤1.80
Moment of Inertia	kg·m <sup>2</sup>	0.028	0.028
Efficiency <sup>(1)</sup>	%	88	90
No Load Starting Input Torque	N·m	8.98	8.98
Operating Temperature	°C	-15° to +40	-15° to +40
Mass (without Gearmotor)	kg	61	61

(1) This value remains constant and is independent of output torque and input speed.

Output Torque Capacity as per DIN-3990



Curves for Standard Precision (P2) SRT actuators.

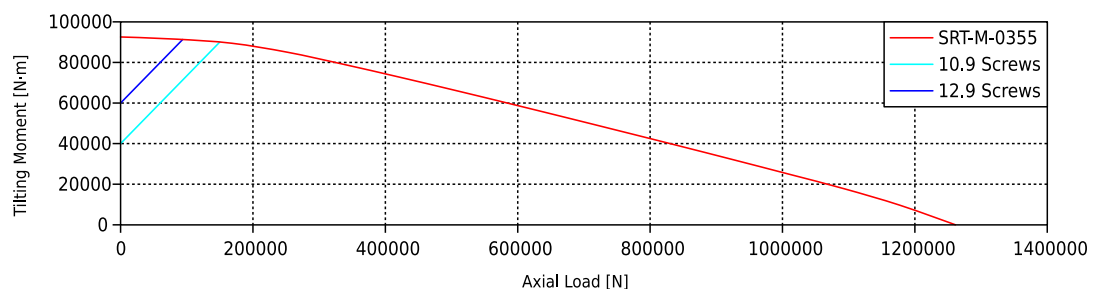
Gearbox	Total Transmission Ratio
SVS (Right Angle)	51:1 to 680:1
MQ (Right Angle)	34:1 to 564.4:1
MA (Right Angle)	27:1 to 2652:1
SG (Coaxial)	20:1 to 6800:1

Bearing Load Capacity		
Basic Static Axial Load Rating $C_{0a}$ <sup>(1)</sup>	N	832968
Basic Dynamic Axial Load Capacity $C_a$ <sup>(2)</sup>	N	185657
Basic Static Radial Load Capacity $C_{0r}$ <sup>(1)</sup>	N	382119
Basic Dynamic Radial Load Capacity $C_r$ <sup>(2)</sup>	N	183550

(1) Values calculated as per ISO-76 and ISO/TR-10657.

(2) Values calculated as per ISO-281 and ISO/TR-1281-1.

Bearing Load Capacity



Limiting Load Diagram calculated with a Static Safety Factor SF=1. Values calculated at the bearing raceway, for a supported axial load. Support structure must be sufficiently rigid, and must be machined and level. The operating load point must be under the curve, and a service factor depending on machine type and desired service life must be applied.